

PRICES

CALL YOUR YUKEN
REPRESENTATIVE FOR
DETAILS

www.yuken-usa.com

DSG-03-2B*-A*-(N)-50916

DSG-03-3C*-A*-(N)-50916

DSG-03-3C60-A*-(N)-50916

DSG-03-2B*-D*-(N)-50916

DSG-03-3C*-D*-(N)-50916

DSG-03-3C60-D*-(N)-50916



ALA INDUSTRIES LIMITED

1150 Southpoint Drive, Ste. D
Valparaiso, IN 46385
Phone: 877-419-8536
Fax: 219-477-4194
www.yuken-usa.com

YUKEN

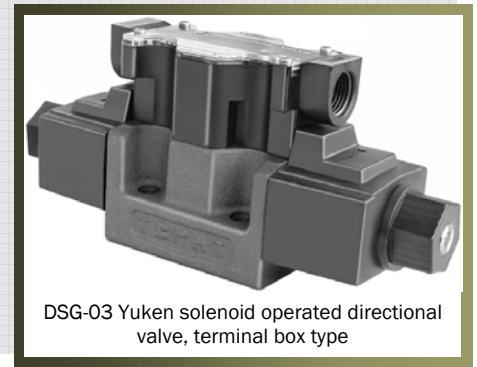
ALA-PUB-03-50916

ALA INDUSTRIES LIMITED

HIGH PRESSURE (3045 PSI/21 MPA) DIRECTIONAL VALVES

SOLENOID OPERATED
DIRECTIONAL VALVES
DSG-03 SERIES
ISO 4401-AC-05-4-A,
CETOP-5, NFPA D05

YUKEN'S
"HIGH PRESSURE TANK PORT"
solenoid operated D05 directional valve



PUMPS-MOTORS-VALVES
CYLINDERS-POWER UNITS

YUKEN

CALL ALA INDUSTRIES
877-419-8536 (TOLL FREE)

SPECIFICATIONS

Valve Type	Model Numbers	Max Flow* U.S. GPM(L/Min)	Max Operating Pressure PSI (MPa)	Max T-Line Back Pres. PSI (MPa)	Max Changeover Frequency Min ⁻¹ (Cycles/Min)	Approx. Mass lbs (kg)	
						Type of Solenoid	
						AC	DC, R, RQ
Standard Type	DSG-03-3C*-50916	31.7 (120)	4570 (31.5) (Spool Type 60 only: 3630 (25))	3045 (21)	240 (R Type Sol. Only: 120)	7.9 (3.6)	11 (5)
	DSG-03-2D2*-50916						
	DSG-03-2B*-50916					6.4 (2.9)	7.9 (3.6)

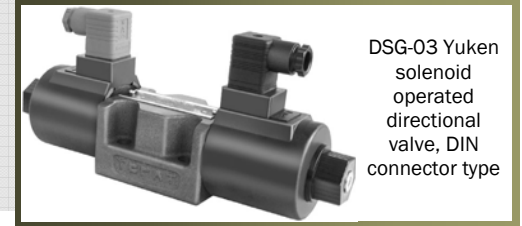
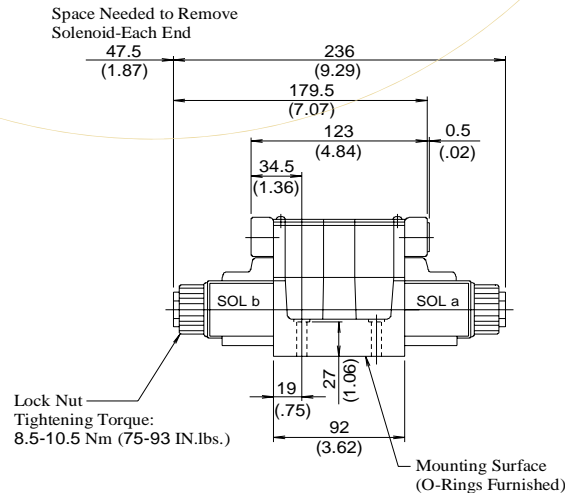
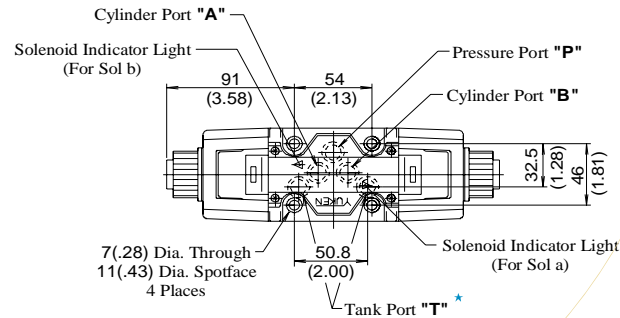
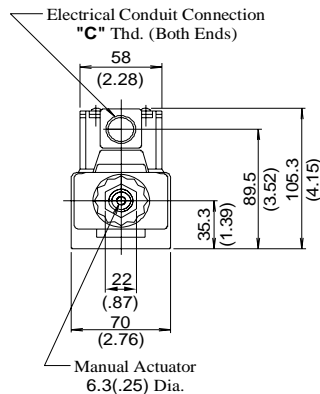
*Maximum flow refers to the flow limit without any abnormality to the operation of the valve. The maximum flow differs per the spool type and operating conditions. For details, please refer to the "List of Standard Models and Maximum Flow" found in Yuken's General Engineering Information Catalog.

Models with AC Solenoids: DSG-03-***-A*-50916

Double Solenoid Spring Centered & No-Spring Detent

Model Number	"C" Thread
DSG-03-***-A*-50916	1/2 NPT

Model shown is typical configuration. Other configurations (i.e. DC Voltage, DIN type connectors) are also available.



INNOVATIVE DESIGN

Yuken's innovative engineering has enabled the development of high pressure core tubes for use on the DSG-03 series solenoid operated directional control valves. This advanced design allows continuous operation with Tank Port back pressure up to 3045 psi. That's more than 725 psi greater than Yuken's standard DSG-03 series.

FOR MORE INFORMATION

Please contact an ALA Industries Representative to request an engineering specification sheet.

ALA INDUSTRIES LIMITED

1150 Southpoint Drive, Ste. D
Valparaiso, IN 46385
Phone: 877-419-8536
Fax: 219-477-4194
www.yuken-usa.com